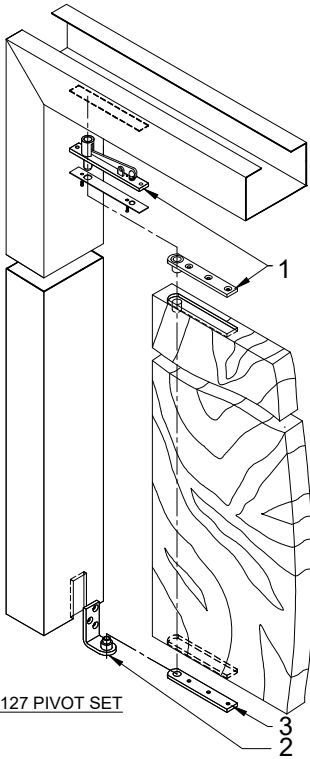


## CENTER HUNG PIVOT SET - SINGLE or DOUBLE ACTING

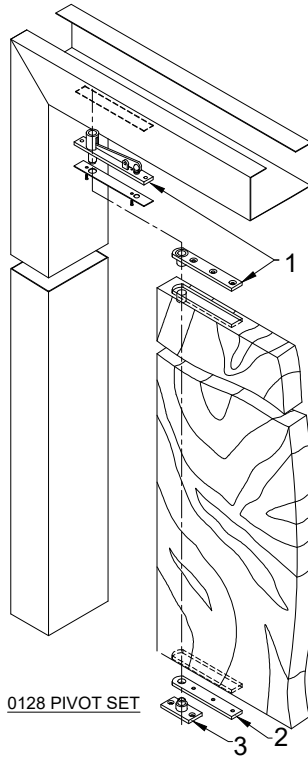


### 0127 Pivot Set

For Steel or Wood doors up to 42" wide x 102" height & weighing up to 200 lb.

- |   |             |                            |
|---|-------------|----------------------------|
| 1 | <b>0320</b> | Top pivot                  |
| 2 | <b>0127</b> | Bottom Leaf into side jamb |
| 3 |             | Door Leaf - Bottom         |

Non Handed

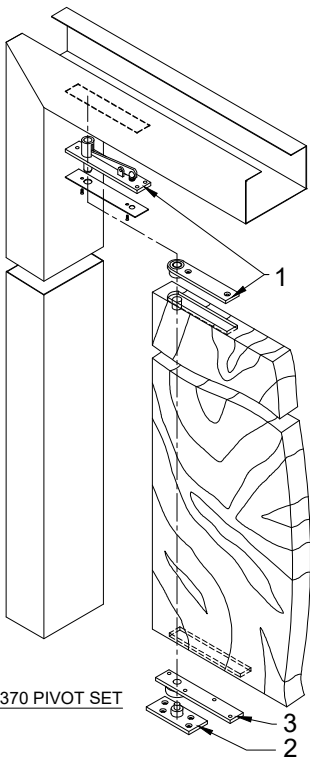


### 0128 Pivot Set

For Steel or Wood doors up to 42" wide x 102" height & weighing up to 250 lb.

- |   |             |                               |
|---|-------------|-------------------------------|
| 1 | <b>0320</b> | Top pivot                     |
| 2 | <b>0128</b> | Bottom Leaf on Finished Floor |
| 3 |             | Door Leaf - Bottom            |

Non Handed



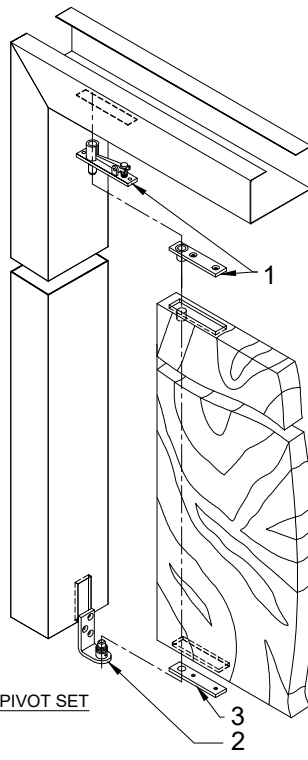
### 0370 Pivot Set

For Steel or Wood doors up to 44" wide x 102" height & weighing up to 500 lb.

- |   |             |                               |
|---|-------------|-------------------------------|
| 1 | <b>0340</b> | Top pivot                     |
| 2 | <b>0370</b> | Bottom Leaf on finished floor |
| 3 |             | Door Leaf - Bottom            |

Non Handed

\* Door taller than 102" - Use 0345 top pivot in lieu of 0340 top pivot.



### 0327 Pivot Set

For Steel or Wood doors up to 42" wide x 96" height & weighing up to 135 lb.

- |   |             |                            |
|---|-------------|----------------------------|
| 1 | <b>0321</b> | Top pivot                  |
| 2 | <b>0327</b> | Bottom Leaf into side jamb |
| 3 |             | Door Leaf - Bottom         |

Non Handed



[www.abhmfg.com](http://www.abhmfg.com)  
 E-mail: [abhinfo@abhmfg.com](mailto:abhinfo@abhmfg.com)  
 Architectural Builders Hardware Mfg., Inc.  
 1222 Ardmore Ave., Itasca, IL 60143  
 630.875.9900; FAX 800.9FAXABH (932.9224)

CENTER HUNG PIVOT CONFIGURATION.DWG

**PIVOT CONFIGURATION**  
**CENTER HUNG**  
**(0127,0128,0370,0327)**

©2018 ABH Mfg., Inc.  
printed in USA

PAGE 3 OF 6  
**ISSUED 05/01/18**